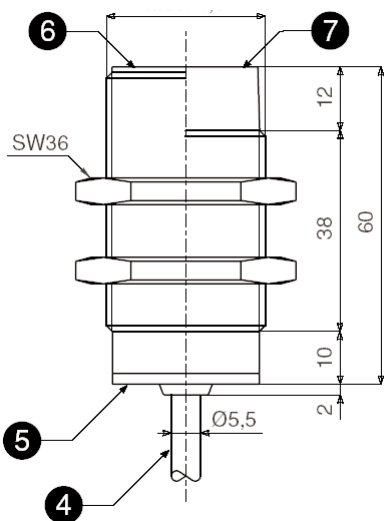


M34 34mm Capacitive Sensor 20/30mm range



M34 34mm Capacitive Sensor
20/30mm sensing range
4 wire 10-30VDC
threaded plastic body design
2 meter integrated cable
IP67 protection degree
protection from electrical damages



- 4 2 meter, 3 Wire PVC
- 5 LED indicators
- 6 shielded
- 7 unshielded

Parts Matrix

capacitive sensor series	C
M34 34mm diameter body	34
standard diameter-standard range	D
plastic body	P
4 wire device	4
PNP	P
NPN	N
NO & NC normally open - normally closed	1
shielded	S
unshielded	U
2m standard axial integrated cable	M1

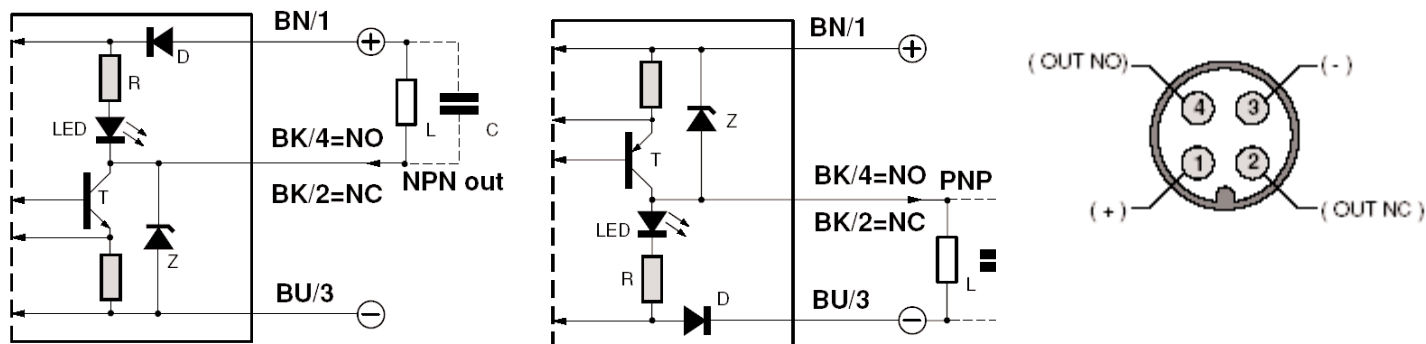
Parts Matrix

- C34DP4P3UM1B
- C34DP4P3SM1B
- C34DP4N3UM1B
- C34DP4N3SM1B

Technical

- PNP NO/NC Unshielded M1
- PNP NO/NC Shielded M1
- NPN NO/NC Unshielded M1
- NPN NO/NC Shielded M1

Wiring Diagram



Sensing Range	20/30mm
Hysteresis	<20%
Repeat Accuracy R	<10%
Operating Voltage U_b	10-48VDC
Current Consumption	<10mA
Continuous Switching Current	300mA
Transient Protection	2kV, 1ms, 1kOhm
Voltage Drop U_d	<2VDC
Output Type	PNP or NPN NO & NC
Switching Frequency	100Hz
Vibration	55Hz, 1mm amplitude
Supply Electrical Protections	polarity reversal, transient
Output Electrical Protections	short circuit protection
Ambient Temperature T_a	-25--+75C
Temperature Drift	+/- 10% SR
Protection Degree (DIN 40 050)	IEC IP67
LED Indicators	Yellow (signal) / Green (power on)
Housing Material	plastic
Sensing Face Material	plastic
shock	30g, 11ms