

**P18 PAC Line 18mm Plastic Housing
32m (max)/16m (max) Range Receiver**



PACP/P18 (32m/16m max range) 18mm housing Receiver

Infrared emission

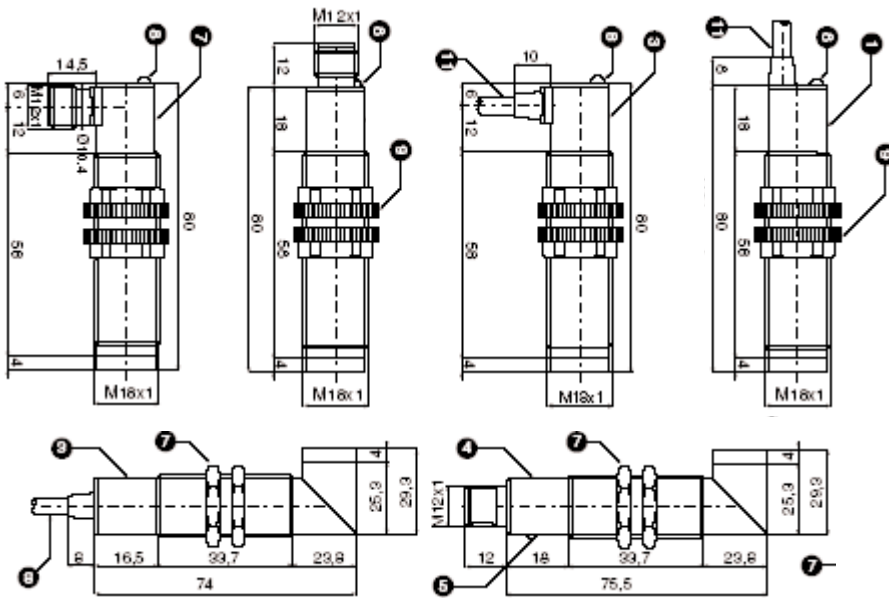
Great for use general harsh duty applications

3 wire 20-253VAC

LED's for set up & diagnostics

M12/M1290 Cable/Cable90 connector available

IP67 protection degree metal housing



- 1. - standard cable exit M1
- 3. - 90 cable exit A1
- 7. - 90 M12 connector K3
- 8. - red LED indicator
- 9. - nut/hexagon nut
- 11. - cable 4(2)X0.34mm,4.7mm diameter, PVC, 2m

- 3. - standard cable exit M1
- 4. - M12 connector K1
- 5. - red LED indicator
- 7. - nut/hexagon nut
- 8. - cable 4(2)X0.34mm,4.7mm diameter, PVC, 2m

Parts Matrix

photo electric sensor series	P	P
receiver	RE	RE
32m max range (16m short range)	016	016
18mm diameter	9	9
PBT plastic housing	P	P
AC sensor	A	A
NO normally open	1	
NC normally closed		2
90 degree optics (radial)	R	
straight optics (axial)		T
2m standard integrated cable	M1	M1
2m 90 degree integrated cable	A1	A1
M12 90 degree 4 pin connector	K3	K3
M12 straight 4 Pin connector	K2	K2

PARTS INDEX

- PRE0169PA1TM1
- PRE0169PA1TK2
- PRE0169PA1TA1

- PRE0169PA2TM1
- PRE0169PA2TK2
- PRE0169PA2TA1

- PTX0169PA1RM1
- PTX0169PA1RK2

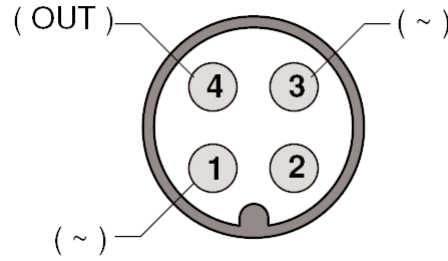
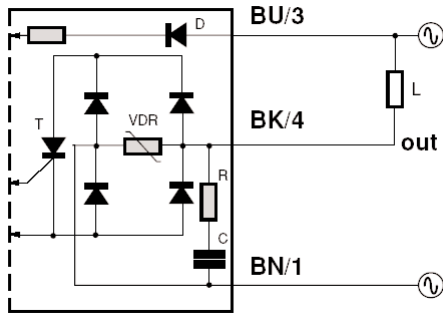
SPECIFICATIONS

- STRAIGHT NO M1
- STRAIGHT NO K2
- STRAIGHT NO A1

- STRAIGHT NC M1
- STRAIGHT NC K2
- STRAIGHT NC A1

- 90 DEGREE NO M1
- 90 DEGREE NO K2

Wiring Diagram & Connector Diagram



TECHNICAL SPECIFICATIONS

Nominal Sensing Distance Sn	32m/16m
Emission	infrared 880nm
Repeat accuracy	5%
Min detection object	7.5mm diameter
Differential Travel	<10%
Operating Voltage U_b	20-253VDC
Ripple U_{pp}	<10%
No-load Supply	15mArms
Load Current Max	5-300mA
Time Delay Before Available	200ms
Weight	200g
Voltage Drop U_d	3V max.(300mA)
Output Type	TRIAC
Response Time	>2mS
Switching Frequency	25Hz
Tightening Torque	40Nm
Supply Electrical Protections	-
Output Electrical Protections	-
Ambient Temperature T_a	-25--+70C
Tempearture Drift	+/- 5% SR
Protection Degree (DIN 40 050)	IEC IP67
LED Indicators	Red
Housing Material	PBT
Lenses Material	plexiglass 7N