

**PC Micro Line Transmitter
15m Range (Visible Red)**



PC (15m) range miniaturized housing
Transmitter

Visible red

Long range detection range

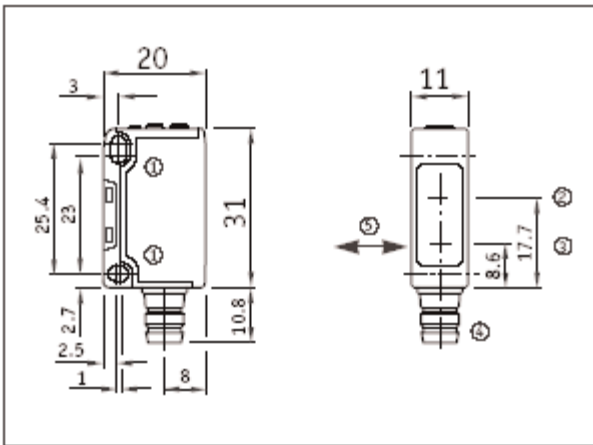
3 wire 10-30VDC

LED's for set up & diagnostics

M8 connector available

Light operated/dark operated selectable

IP67 protection degree



- 1 - mounting hole 3.2mm
- 2 - optics center receiver
- 3 - optics center transmitter
- 4 - M8 plug or cable
- 5 - standard direction of target

Parts Matrix

photo electric sensor series

P P

transmitter

TX TX

15m max range

15M 15M

micro cubic housing

C C

plastic body

P P

2m standard integrated cable

M1 M1

M8 3 Pin 8mm connector

E1 E1

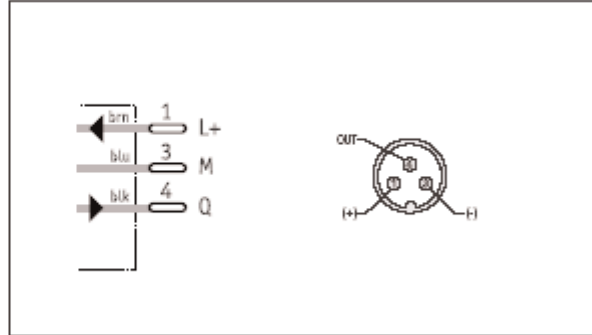
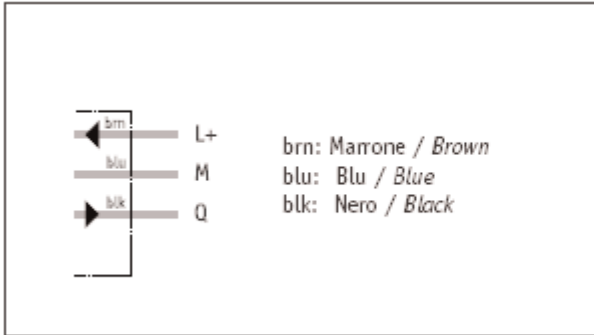
PARTS INDEX

PTX15MCPM1
PTX15MCPE1

SPECIFICATIONS

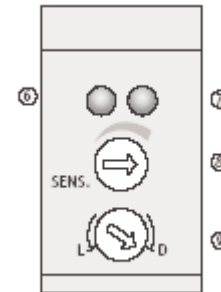
M1
E1

Wiring Diagram & E1 Connector Diagram



TECHNICAL SPECIFICATIONS

Nominal Sensing Distance S_n	0-15m
Emission	visible red
Spot Diameter	1600mm @ 12.5m
Blind Spot	0mm
Operating Voltage U_b	10-30VDC
Ripple U_{pp}	<10% U_b
No-load Supply	<15mA max
Hysteresis	20%
Leakage Current	<10uA
Voltage Drop U_d	1.8V max.(100mA)
Output Type	NA
Response Time	.5 ms
Supply Electrical Protections	polarity reversal, transient
Output Electrical Protections	short circuit protection (autoreset)
Ambient Temperature T_a	-25--+55C
Temperature Drift	+/- 10% SR
Protection Degree (DIN 40 050)	IEC IP67
LED Indicators	green, orange
Housing Material	PBT plastic
Lenses Material	PC plastic



- ⑥ Green LED indicator: light reception
- ⑦ Orange LED indicator: output active
- ⑧ Sensitivity – scanning setting (270°)
- ⑨ Light/dark rotary switch