

**GO Line Rectangular Sensor Series
4m (max range) Receiver**



GO/ (4m) max range receiver

Infrared emission 880nm

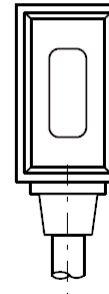
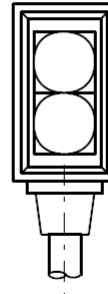
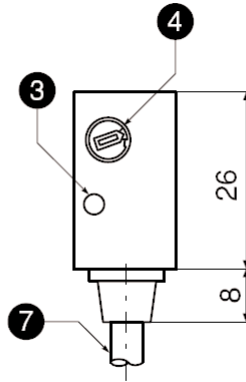
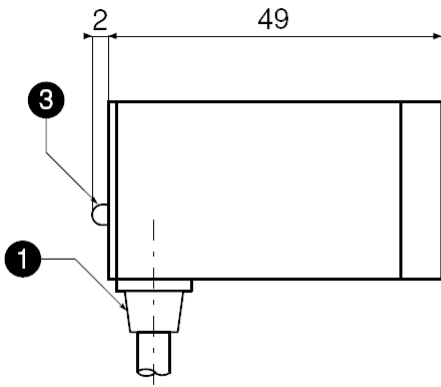
Great standard sensor series

3/4 wire 10-30VDC

LED's for set up & diagnostics

M12 connector & cable available

IP65 protection degree plastic housing



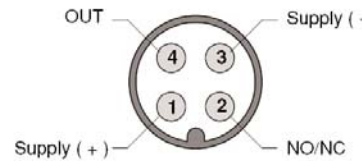
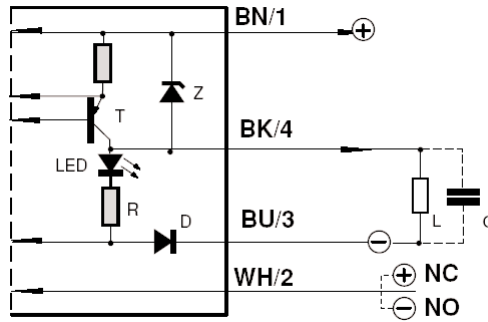
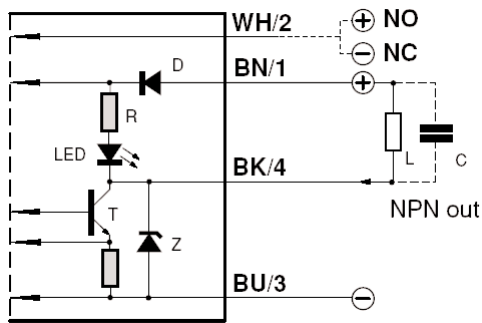
- 1. standard right angle cable exit M1
- 3. red LED output state
- 4. sensitivity adjustment
- 7. cable 4(2)X0.34mm,4.7mm diameter, PVC, 2m

sizes vary for units based on mode & connectors

Parts Matrix

	P	P	PARTS INDEX	SPECIFICATIONS
photo electric sensor series	P	P		
receiver	RE	RE	PRE004RAP3TA1 PRE004RAP3TK2	PNP NO-NC A1 CABLE PNP NO-NC K2 CONNECTOR
4m max range	004	004		
rectangular housing	R	R		
ABS plastic housing	A	A		
PNP	P			
NPN		N		
NO - NC normally open - normally closed	3	3		
straight optics (axial only)		T		
2m standard radial integrated cable	A1	A1		
K2 4 Pin 12mm connector	K2	K2		

Programmable Wiring Diagram & K2 Connector Diagram



TECHNICAL SPECIFICATIONS

Nominal Sensing Distance S_n	4m
Emission	infrared 880nm
Repeat accuracy	5%
Differential Travel	<5%
Operating Voltage U_b	10-30VDC
Ripple U_{pp}	<10%
No-load Supply	<30mA max
Load Current Max	100mA
Time Delay Before Available	200ms
Weight	90g
Voltage Drop U_d	1.2V max.(100mA)
Output Type	PNP / NPN NO-NC
Response Time	>2mS
Switching Frequency	25Hz
Tightening Torque	40Nm
Supply Electrical Protections	polarity reversal, transient
Output Electrical Protections	short circuit (autoreset)
Ambient Temperature T_a	-25--+70C
Tempearture Drift	+/- 5% SR
Protection Degree (DIN 40 050)	IEC IP65
LED Indicators	Red
Housing Material	ABS
Lenses Material	plexiglass 7N