

**L18 Laser Line 18mm Plastic Housing
300mm* Range Diffuse Proximity Sensor**



**L18 (300mm) range 18mm housing
Diffuse Proximity**

Laser emission with teach in

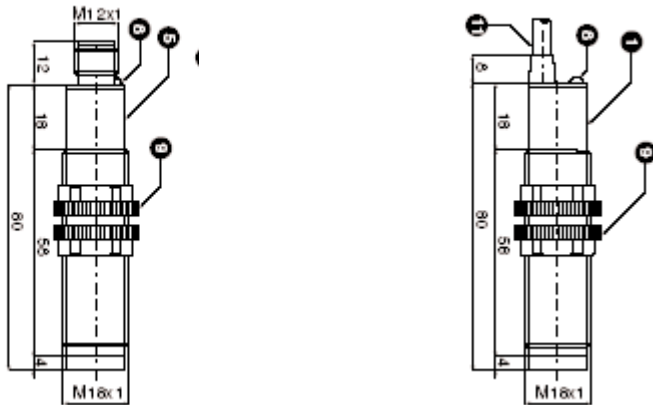
Great for use general harsh duty applications

4 wire 10-30VDC

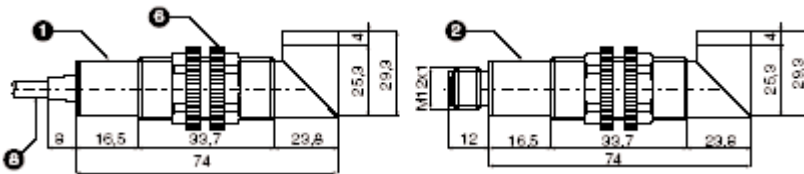
LED's for set up & diagnostics

M12 connector & cable available

**Laser Line Series
IP67 protection degree plastic housing**



- 1. - standard cable exit M1
- 5. - M12 connector K2
- 8. - LED indicators
- 9. - nut/hexagon nut
- 11. - cable 4(2)X0.34mm,4.7mm diameter, PVC, 2m



- 1. - standard cable exit M1
- 2. - M12 connector K2
- 6. - nut/hexagon nut
- 8. - cable 4(2)X0.34mm,4.7mm diameter, PVC,

Parts Matrix

photo electric sensor series	P	P
laser-diffuse proximity	TL	TL
300mm max range (200mm in 90 degree version)	300*	300*
18mm diameter	9	9
PBT plastic housing	P	P
PNP	P	
NPN		N
light opearted/dark operated	8	8
q/qnot programming*	7	7
90 degree optics (radial) 200mm	R	
straight optics (axial) 300mm		T
2m standard integrated cable	M1	M1
K2 4 Pin 12mm connector	K2	K2

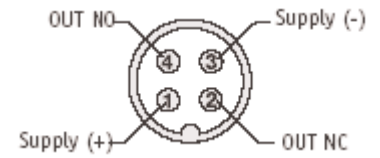
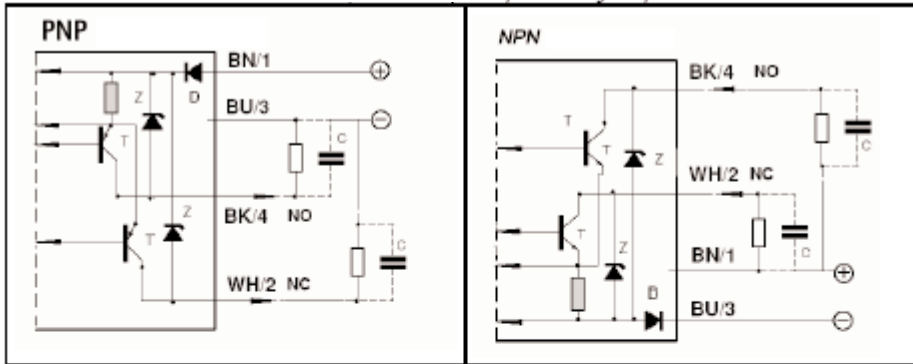
PARTS INDEX

- PTL2009PP8RM1
- PTL2009PN8RM1
- PTL2009PP8RK2
- PTL2009PN8RK2
- PTL2009PP7RK2
- PTL2009PN7RK2
- PTL3009PP8TM1
- PTL3009PN8TM1
- PTL3009PP8TK2
- PTL3009PN8TK2
- PTL3009PP7TK2
- PTL3009PN7TK2

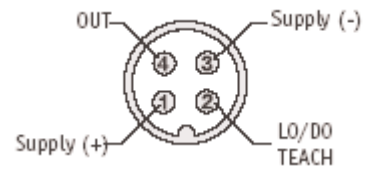
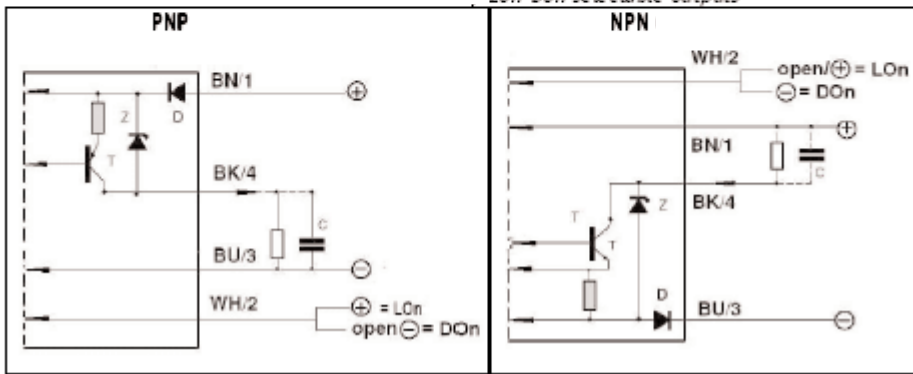
SPECIFICATIONS

- PNP L/D 90 DEGREE M1
- NPN L/D 90 DEGREE M1
- PNP Q/QN 90 DEGREE K2
- NPN Q/QN 90 DEGREE K2
- PNP L/D 90 DEGREE K2
- NPN L/D 90 DEGREE K2
- PNP L/D M1
- NPN L/D M1
- PNP Q/QN K2
- NPN Q/QN K2
- PNP L/D K2
- NPN L/D K2

Complementary outputs



Lon-Don selectable outputs



Nominal Sensing Distance S_n	300mm axial/200mm radial
Emission	Red laser diode 650nm/class 1 laser (IEC60825-1)
Repeat accuracy	5%
Differential Travel	<10%
Operating Voltage U_b	10-30VDC
Ripple U_{pp}	<10%
No-load Supply	<30mA max
Load Current Max	100mA
Time Delay Before Available	200ms
Weight	200g
Voltage Drop U_d	2V max.(100mA)
Output Type	PNP or NPN; Q/Qnot output Lo/Do selectable
Minimum Detectable Object	.1mm
Switching Frequency	80Hz
Tightening Torque	40Nm
Supply Electrical Protections	polarity reversal, transient
Output Electrical Protections	short circuit protection (autoreset)
Ambient Temperature T_a	-55--+80C
Tempearture Drift	10% SR
Protection Degree (DIN 40 050)	IEC IP67
LED Indicators	Green (power supply) Yellow (on light state), (flashing light state), (off dark state)
Housing Material	PBT/Glass