

L18 Laser Line 18mm Plastic Housing  
50m Range Receiver Series



L18 (50m)\* range 18mm housing  
Receiver

Laser with teach in

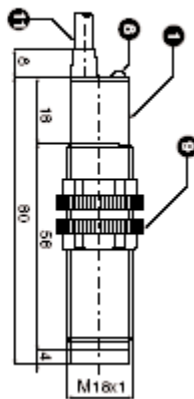
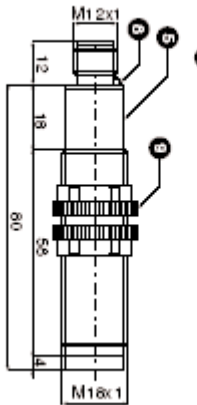
Great for use general harsh duty applications

4 wire 10-30VDC

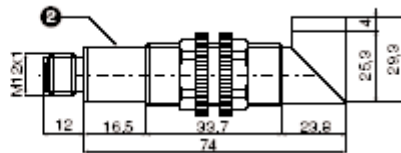
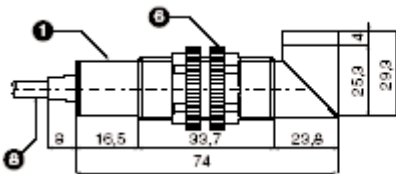
LED's for set up & diagnostics

M12 connector & cable available

Laser Line Series  
IP67 protection degree plastic housing



- 1. - standard cable exit M1
- 5. - M12 connector K2
- 8. - LED indicators
- 9. - nut/hexagon nut
- 11. - cable 4(2)X0.34mm,4.7mm diameter, PVC, 2m



- 1. - standard cable exit M1
- 2. - M12 connector K2
- 6. - nut/hexagon nut
- 8. - cable 4(2)X0.34mm,4.7mm diameter, PVC,

Parts Matrix

|                              |     |     |
|------------------------------|-----|-----|
| photo electric sensor series | P   | P   |
| laser-receiver               | LR  | LR  |
| 50m                          | 050 | 050 |
| 18mm diameter                | 9   | 9   |
| PBT plastic housing          | P   | P   |
| PNP output                   | (P) | P   |
| NPN output                   | N   | (N) |
| complimentary NO and NC      | 7   | 7   |
| 90 degree optics (radial)    | R   |     |
| straight optics (axial)      |     | T   |
| 2m standard integrated cable | M1  | M1  |
| K2 4 Pin 12mm connector      | K2  | K2  |

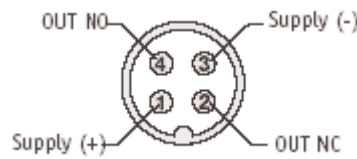
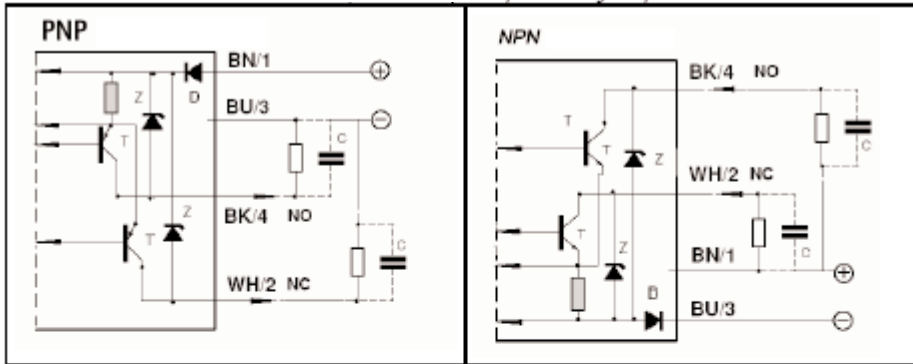
PARTS INDEX

- PLR0509PN7RM1
- PLR0509PN7RK2
- PLR0509PP7TM1
- PLR0509PP7TK2

SPECIFICATIONS

- RECEIVER 90 M1
- RECEIVER 90 K2
- RECEIVER M1
- RECEIVER K2

*Complementary outputs*



|  |   |
|--|---|
| <b>Nominal Sensing Distance <math>S_n</math></b> | <b>50m</b>                                    |
| <b>Emission</b>                                  | <b>NA</b>                                     |
| <b>Repeat accuracy</b>                           | <b>5%</b>                                     |
| <b>Differential Travel</b>                       | <b>&lt;10%</b>                                |
| <b>Operating Voltage <math>U_b</math></b>        | <b>10-30VDC</b>                               |
| <b>Ripple <math>U_{pp}</math></b>                | <b>&lt;10%</b>                                |
| <b>No-load Supply</b>                            | <b>&lt;25mA max</b>                           |
| <b>Time Delay</b>                                | <b>200ms</b>                                  |
| <b>Weight</b>                                    | <b>200g</b>                                   |
| <b>Output Type</b>                               | <b>PNP or NPN<br/>complimentary NO and NC</b> |
| <b>Minimum Detectable Object/Spot Size</b>       | <b>10mm / 40mm@60m</b>                        |
| <b>Load Current</b>                              | <b>100mA</b>                                  |
| <b>Tightening Torque</b>                         | <b>40Nm</b>                                   |
| <b>Supply Electrical Protections</b>             | <b>polarity reversal, transient</b>           |
| <b>Switching Frequency</b>                       | <b>1KHz</b>                                   |
| <b>Ambient Temperature <math>T_a</math></b>      | <b>-55--+80C</b>                              |
| <b>Tempearture Drift</b>                         | <b>10% SR</b>                                 |
| <b>Protection Degree (DIN 40 050)</b>            | <b>IEC IP67</b>                               |
| <b>LED Indicators</b>                            | <b>Green (power supply) Yellow (laser on)</b> |
| <b>Housing Material</b>                          | <b>PBT/PC</b>                                 |