

**PM Mini Line Transmitter
20m Range**



**PM (20m) range Mini Cubic Housing
Transmitter**

Visible red

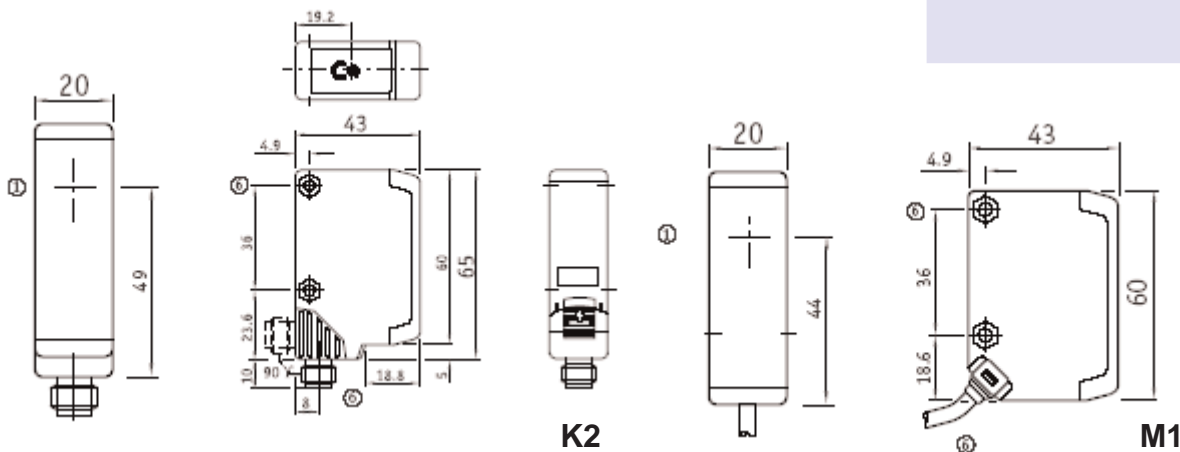
Long Distance

10-30VDC

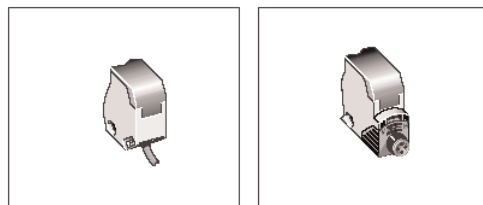
Easy RED set up

M12 connector available

IP67 protection degree



- 1. - standard direction of the material
- 4. - not listed (LED)
- 5. - not listed (bore holes)
- 6. - M12 plug



Parts Matrix

photo electric sensor series	P	P
transmitter (visible red)	TV	TV
20m max range	20M	20M
cubic housing	C	C
ABS body	A	A
Transmitter	E	E
light operated/dark operated	6	6
2m standard integrated cable	M1	M1
K2 4 Pin 12mm connector	K2	K2

PARTS INDEX

PTV20MCAE6M1
PTV20MCAE6K2

SPECIFICATIONS

M1
K2

Wiring Diagram & K2 Connector Diagram



TECHNICAL SPECIFICATIONS

Nominal Sensing Distance S_n	20m
Emission	visible red
Spot Diameter	1.5m @ 20m
Operating Voltage U_b	10-30VDC
Ripple U_{pp}	5Vpp
No-load Supply	<20mA max
Load Current Max	-
Voltage Drop U_d	-
Output Type	-
Response Time	-
Switching Frequency	-
Light On/Dark On selectability	-
Supply Electrical Protections	polarity reversal, transient
Output Electrical Protections	short circuit protection (autoreset)
Ambient Temperature T_a	-25--+55C
Temperature Drift	+/- 10% SR
Protection Degree (DIN 40 050)	IEC IP67
LED Indicators	-
Housing Material	ABS
Lenses Material	PC plastic