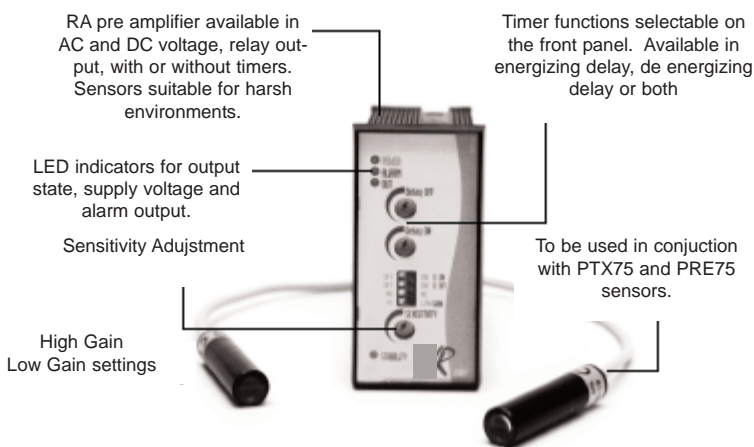


Pre Amplifier System Anti Fog/Washdown



Ultra Harsh Photo Electric Sensor

car wash set

multivoltage units
24VDC, 24VAC, 110VAC, 220VAC

LED's on RA for set up & diagnostics

anti fog, anti washdown, light immune

protection from electrical damages

Parts Matrix

pre amplifier series

RA

operating voltage s 24ac 24dc 110ac 220ac

024D
024A
110A
220A

with timer

1

without timer

2

with alarm output

A

without alarm output

B

car wash set

C

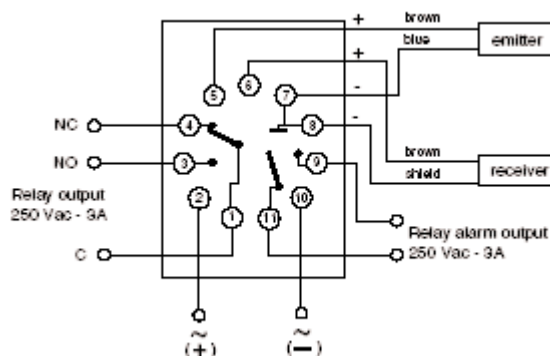
Part Number

- RA024D2BC
- RA024D1BC
- RA024D2AC
- RA024D1AC
- RA220A2BC
- RA220A1BC
- RA220A2AC
- RA220A1AC
- RA110A2BC
- RA110A1BC
- RA110A2AC
- RA110A1AC
- RA024A2BC
- RA024A1BC
- RA024A2AC
- RA024A1AC

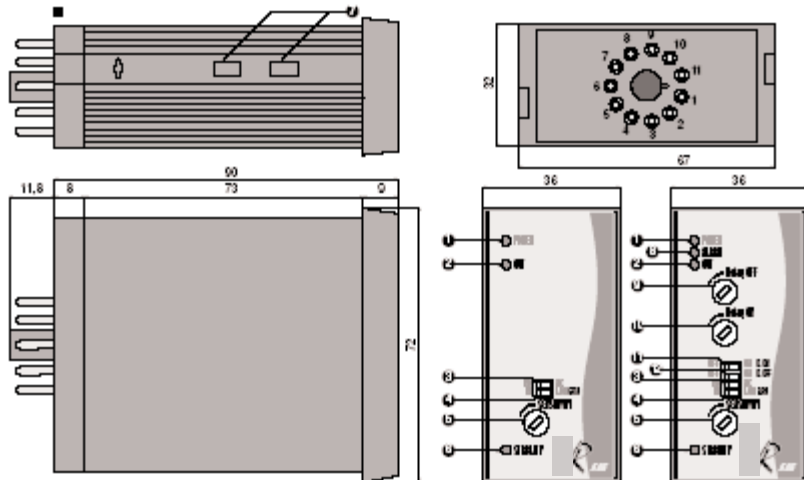
Specifications

- amplifier 24VDC
- amplifier 24VDC with alarm output
- amplifier 24VDC with timer
- amplifier 24VDC with timer. with alarm output
- amplifier 220VAC
- amplifier 220VAC with alarm output
- amplifier 220VAC with timer
- amplifier 220VAC with timer. with alarm output
- amplifier 110VAC
- amplifier 110VAC with alarm output
- amplifier 110VAC with timer
- amplifier 110VAC with timer. with alarm output
- amplifier 24VAC
- amplifier 24VAC with alarm output
- amplifier 24VAC with timer
- amplifier 24VAC with timer with alarm output

11 Pin Wiring Diagram



11 Pin Socket Diagram



- 1 Green LED (supply)
- 2 Red LED (output state)
- 3 NO/NC output selection (Dip-switch)
- 4 Gain level selection (Dip-switch)
- 5 Sensitivity adjustment trimmer
- 6 Green LED (stability)
- 7 Fixing slots for mounting on panel using included brackets
- 8 Red LED (alarm)
- 9 Delay OFF adjustment trimmer
- 10 Delay ON adjustment trimmer
- 11 Delay ON (on/off) Dip-switch selection
- 12 Delay OFF (on/off) Dip-switch selection

TECHNICAL SPECIFICATIONS

Nominal Sensing Distance Sn	0-75m (0-245')	0-75m (0-245')
Emission	infrared (880nm)	infrared (880nm)
Voltage Tolerance	<10%	-
Frequency	-	50-60Hz-
No Load Supply Current	<100mA	1.5V
Operating Voltage Ub	24Vdc	24Vac 110Vac 220Vac
Ripple Upp	<10% Ub	<10% Ub
Output	relay NO/NC selectable	relay NO/NC selectable
Alarm Output	relay NO	relay NO
Max. Output Voltage	250V	250V
Max. Output Current	3A (resistive load)	3A (resistive load)
Switching Frequency	10Hz	10Hz
Electrical Life	1.5x10 ⁵ operations	1.5x10 ⁵ operations
Timer Functions	3s delay ON and delay OFF with Dip-switches and separate adjustables	3s delay ON and delay OFF with Dip-switches and separate adjustables
Ambient Temperature Ta	-10--+50C	-10--+50C
Operating Time (relay de-energized)	40ms max.	40ms max.
Reset Time (relay energized)	40ms max.	40ms max.
Tempearture Drift	+/- 10% SR	+/- 10% SR
Protection Degree (DIN 40 050)	IEC IP20	IEC IP20
LED Indicators	green (supply), red (output), green (stability), red (alarm)	green (supply), red (output), green (stability), red (alarm)
Housing Material	Noryl 90 V-O	Noryl 90 V-O
Weight	150g	150g