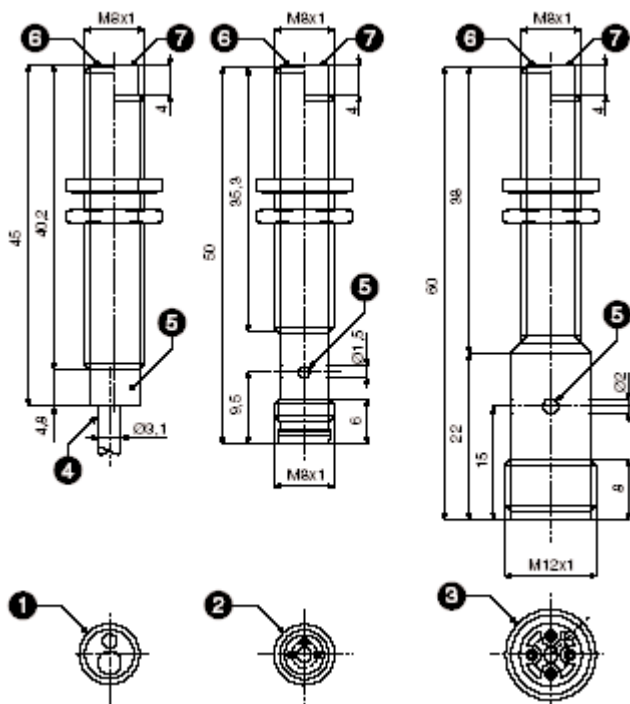


# M8 8mm NAMUR Miniature Inductive 1.5mm/2.5mm ranges



- M8 8mm NAMUR Miniature Inductive Proximity Sensor with LED
- 1.5 mm shielded range
- 2.5 mm unshielded range
- 2 wire 5-30VDC
- miniaturized body design
- 2 meter standard integrated cable
- IP67 protection degree
- protection from electrical damages
- stainless steel housing



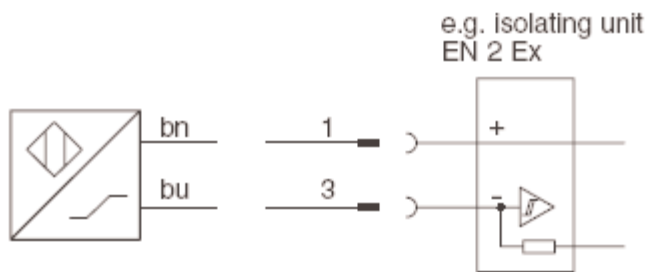
- 1
- 2
- 3
- 4
- 5
- 6
- 7

- 1 M1 axial cable
- 2 E1 M8 3 pin 8mm
- 3 K1 M12 4 pin 12mm
- 4 M1 cable 3x0.055mm, 3.1mm diameter, PUR, 2m
- 5 LED status indicator (NO output energized)
- 6 Shielded version
- 7 Unshielded version

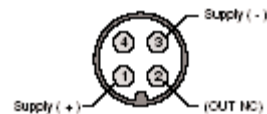
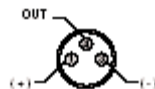
## Parts Matrix

			PARTS INDEX	SPECIFICATIONS
inductive sensor series	X	X	X08NS2O1SM1-B X08NS2O2SM1-B	PNP/NPN NO SHIEDLED M1 PNP/NPN NC SHIELDED M1
M8 8mm diameter body	08	08	X08NS2O1UM1-B X08NS2O2UM1-B	PNP/NPN NO UNSHIELDED M1 PNP/NPN NC UNSHIELDED M1
NAMUR-standard ranges	N	N	X08NS2O1SE1-B X08NS2O2SE1-B	PNP/NPN NO SHIEDLED E1 PNP/NPN NC SHIELDED E1
stainless steel	S	S		
2 wire device	2	2	X08NS2O1UE1-B X08NS2O2UE1-B	PNP/NPN NO UNSHIELDED E1 PNP/NPN NC UNSHIELDED E1
PNP/NPN	O	O		
NO normally open	1	1	X08NS2O1SK1-B X08NS2O2SK1-B	PNP/NPN NO SHIEDLED K1 PNP/NPN NC SHIELDED K1
NC normally closed	2	2		
shielded	S		X08NS2O1UK1-B X08NS2O2UK1-B	PNP/NPN NO UNSHIELDED K1 PNP/NPN NC UNSHIELDED K1
unshielded		U		
2m standard integrated cable	M1	M1		
M8 3 Pin 8mm connector	E1	E1		
M12 4 Pin 12mm connector	K1	K1		
with LED	-B	-B		
range (mm)	1.5mm	2.5mm		
load current	100mA	100mA		

Wiring Diagram



E1/K1 Connection Diagram



TECHNICAL SPECIFICATIONS

Nominal Sensing Distance $S_n$	1.5mm	2.5mm
Supply Voltage NAMUR	7.7-9VDC	7.7-9VDC
Operating Voltage $U_b$	5-30VDC	5-30VDC
Ripple $U_{pp}$	<10% $U_b$	<10% $U_b$
Internal Capacitance	<180nF	<180nF
Internal Inductance	<100uH	<100uH
Output Type	NAMUR PNP/NC/ NPN NC	NAMUR PNP/NC/ NPN/NC
Switching Frequency	5KHz	5KHz
Time Delay Before Availability $t_v$	10ms	10ms
Power Consumption attenuated	<1.0mA	<1.0mA
Power Consumption unattenuated	<2.2mA	<2.2mA
Ambient Temperature $T_a$	-25---+70C	-25---+70C
Temperature Drift	+/- 10% SR	+/- 10% SR
Protection Degree (DIN 40 050)	IEC IP67	IEC IP67
LED Indicators	Yellow (NO output energized)	Yellow (NO output energized)
Housing Material	stainless steel	stainless steel
Sensing Face Material	PBT	PBT
Tightening Torque	2Nm	2Nm