

**M08 08mm Plastic Body Inductive 4 Wire  
1.5mm/2.5mm ranges 4 Wire NO+NC**

M08 08mm  
Plastic Body  
Inductive Proximity Sensor

1.5 mm shielded range

2.5 mm unshielded range

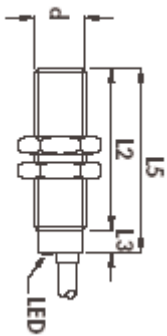
4 wire 5-40VDC

2 meter standard integrated cable

IP67 protection degree

protection from electrical damages

Plastic housing



**L2**

L2 (42mm)

**L3**

L3 (5mm)

**L5**

L5 (50mm)

**PARTS INDEX**

**SPECIFICATIONS**

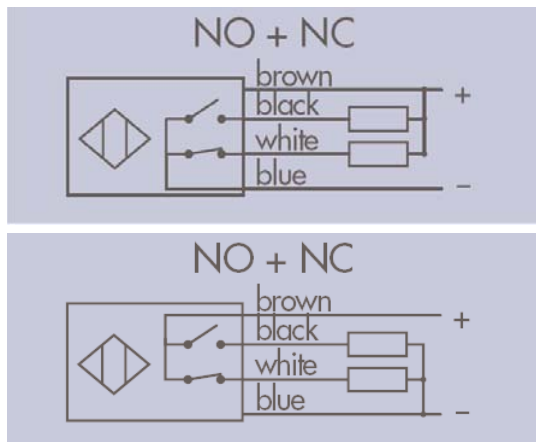
X08DP4P3SM1B  
X08DP4P3UM1B  
X08DP4N3SM1B  
X08DP4N3UM1B

PNP NO+NC SHIELDED M1  
PNP NO+NC UNSHIELED M1  
NPN NO+NC SHIELDED M1  
NPN NO+NC UNSHIELED M1

**Parts Matrix**

|                                   |       |       |
|-----------------------------------|-------|-------|
| inductive sensor series           | X     | X     |
| M08 08mm diameter body            | 08    | 08    |
| standard diameter-standard ranges | D     | D     |
| plastic housing                   | P     | P     |
| 4 wire device                     | 4     | 4     |
| PNP output                        | P     | P     |
| NPN output                        | N     | N     |
| NO+NC normally open               | 1     | 1     |
| shielded                          | S     |       |
| unshielded                        |       | U     |
| 2m standard integrated cable      | M1    | M1    |
| range (mm)                        | 1.5mm | 2.5mm |
| load current                      | 200mA | 200mA |

Wiring Diagram



TECHNICAL SPECIFICATIONS

|                                      |                                      |                                      |
|--------------------------------------|--------------------------------------|--------------------------------------|
| Nominal Sensing Distance $S_n$       | 1.5 mm                               | 2.5 mm                               |
| Operating Distance                   | -                                    | -                                    |
| Differential Travel                  | 10% Typ                              | 10% Typ                              |
| Repeat Accuracy R                    | 2%                                   | 2%                                   |
| Operating Voltage $U_b$              | 10-30VDC                             | 10-30VDC                             |
| Ripple $U_{pp}$                      | <20% $U_b$                           | <20% $U_b$                           |
| No-load Supply                       | 20mA                                 | 20mA                                 |
| Load Current $I_a$                   | <200mA                               | <200mA                               |
| Leakage Current                      | <10uA                                | <10uA                                |
| Voltage Drop $U_d$                   | 1.2V max.                            | 1.2V max.                            |
| Output Type                          | PNP or NPN<br>NO + NC                | PNP or NPN<br>NO + NC                |
| Switching Frequency                  | 2KHz                                 | 1.5KHz                               |
| Time Delay Before Availability $t_v$ | 100ms                                | 100ms                                |
| Supply Electrical Protections        | polarity reversal, transient         | polarity reversal, transient         |
| Output Electrical Protections        | short circuit protection (autoreset) | short circuit protection (autoreset) |
| Ambient Temperature $T_a$            | -20--+70C                            | -20--+75C                            |
| Temperature Drift                    | +/- 10% SR                           | +/- 10% SR                           |
| Protection Degree (DIN 40 050)       | IEC IP67                             | IEC IP67                             |
| LED Indicators                       | Yellow (NO output energized)         | Yellow (NO output energized)         |
| Housing Material                     | plastic                              | plastic                              |
| Sensing Face Material                | plastic                              | plastic                              |
| Tightening Torque                    | -                                    | -                                    |
| Weight (approximate)                 | 55g(M1)                              | 55g(M1)                              |