





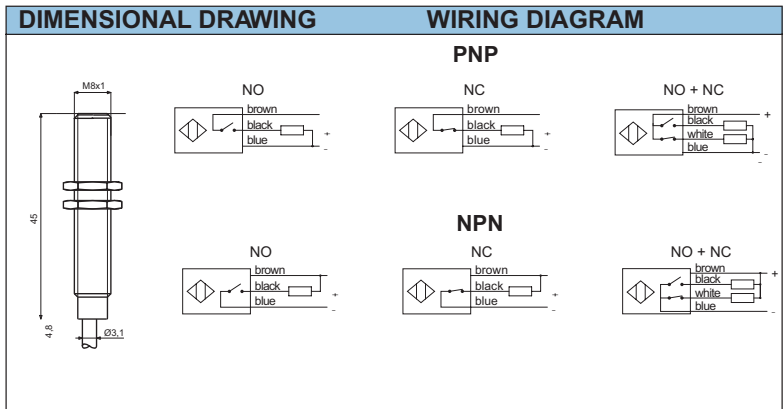
SERIES	HS
X08HS3***M1B X08HS4***M1B	
	
	
High Temperature (3/4 Wire)	

Inductive proximity sensors M8- DC Stainless Steel
Extremely reduced housing
Stainless Steel Housing
Miniaturized Sensor
(-25° to +125°C) or (-13° to +257°F)
LED status indicator
IP67 protection degree
Complete protection for electrical damages
2m Cable (M1) thermoplastic rated 140°C



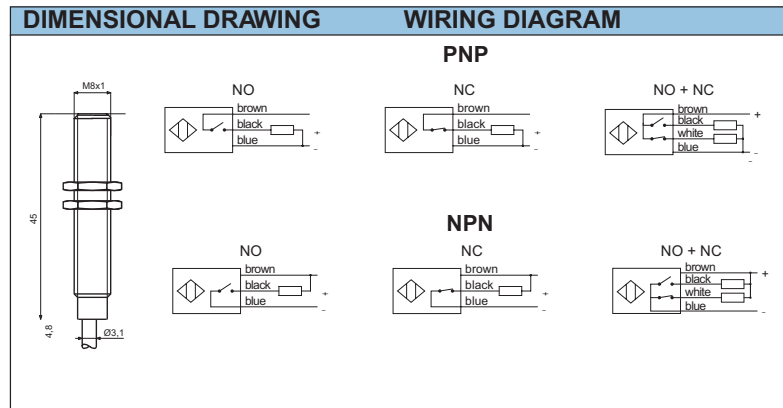
SERIES	TS
X08TS3***M1B X08TS4***M1B	
	
	
Low Temperature (3/4 Wire)	

Inductive proximity sensors M8 - DC Stainless Steel
Extremely reduced housing
Stainless Steel Housing
Miniaturized Sensor
(-40° to +85°C) or (-40° to 185°F)
LED status indicator
IP67 protection degree
Complete protection for electrical damages
2m Cable (M1) thermoplastic rated 140°C



Nominal sensing distance Sn⁽¹⁾	1.5mm
Operating distance	1.2mm
Differential travel	2-10%
Repeat accuracy	2%
Operating voltage	10-30Vdc
Ripple	10%
No-load supply current	10mA
Load current	150mA
Voltage drop	
	1.5V max.
Output type	
	NPN or PNP
	NO/NC NO or NC
	4KHz
	10ms
	polarity reversal, transient short circuit (autoreset)
	(-25° to +70°C) (-13° to 257°F)
	10% Sr
	IEC IP67
	(when output energized)
	stainless steel
	PBT
Switching frequency	
Time delay before availability	
Supply electrical protections	
Output electrical protections	
Temperature range	
Temperature drift	
Protection degree (DIN 40 050)	
LED indicators	
Housing material	
Sensing face material	

X08HS3**S**B X08HS4**S**B



Nominal sensing distance Sn⁽¹⁾	1.5mm
Operating distance	1.2mm
Differential travel	2-10%
Repeat accuracy	2%
Operating voltage	10-30Vdc
Ripple	10%
No-load supply current	10mA
Load current	150mA
Voltage drop	
	1.5V max.
Output type	
	NPN or PNP
	NO/NC NO or NC
	4KHz
	10ms
	polarity reversal, transient short circuit (autoreset)
	(-40° to +85°C) or (-40° to + 185°F)
	10% Sr
	IEC IP67
	(when output energized)
	stainless steel
	PBT
Switching frequency	
Time delay before availability	
Supply electrical protections	
Output electrical protections	
Temperature range	
Temperature drift	
Protection degree (DIN 40 050)	
LED indicators	
Housing material	
Sensing face material	

X08TS3**S**B X08TS4**S**B