

M30 30mm Analog Inductive Metal Housing 5-12mm/7-18mm ranges 4-20mA & 4-16mA Output



M30 30mm
Miniature Inductive Proximity Sensor

Analog Output 4-20mA & 4-16mA

5-12mm/7-18mm ranges

2/3 wire 15-40VDC

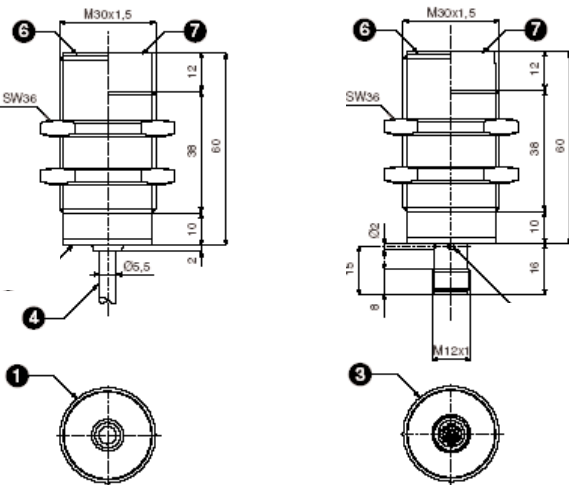
miniaturized body design

2 meter standard integrated cable

IP67 protection degree

protection from electrical damages

NBT nickel plated brass housing



- 1 M2 cable
- 3 K1 4 pin 12mm connector
- 4 M2 cable 3x0.055mm, 3.1mm diameter, PUR, 2m
- 6 Shielded version
- 7 Unshielded version

Parts Matrix

inductive sensor series	X	
M30 30mm diameter body	30	
standard diameter-standard ranges	D	
nickel plated brass	B	
3(2) wire device	3	
Analog Output 4-20mA & 4-16mA	K	
inversely proportional	5	
directly proportional		6
shielded	S	
unshielded		U
2m standard integrated cable	M1	
M12 4 Pin 12mm connector	K1	
range (mm)	5-12	7-18

PARTS INDEX SPECIFICATIONS

X30DB3K5SM2B	M2 INVERSE SHIELDED
X30DB3K5UM2B	M2 INVERSE UNSHIELDED
X30DB3K5SK1B	K1 INVERSE SHIELDED
X30DB3K5UK1B	K1 INVERSE UNSHIELDED
X30DB3K6SM2B	M2 DIRECT SHIELDED
X30DB3K6UM2B	M2 DIRECT UNSHIELDED
X30DB3K6SK1B	K1 DIRECT SHIELDED
X30DB3K6UK1B	K1 DIRECT UNSHIELDED

Wiring Diagram*

K1 Connection Diagram

*see page 3



Technical Specifications

Sensing Distance S _d	5-12mm/7-18mm
Operating Distance	-
Differential Travel	10% Typ
Standard Target	18x18x1mm
Repeat Accuracy R	.5%
Supply Voltage Range U _b	14-40 VDC
Max Switching Freq.	250Hz
Ripple U _{pp}	<20% U _b
No-load Supply	4mA
Load Current I _a	<10mA
Leakage Current	<10uA
Voltage Drop U _d	-
Output Type	analog 4-20mA & 4-16mA
Supply Electrical Protections	polarity reversal, transient
Output Electrical Protections	short circuit protection (autoreset)
Ambient Temperature T _a	-25--+70C
Temperature Drift	<10%
Protection Degree (DIN 40 050)	IEC IP67
Housing Material	Chrome Plated Brass
Sensing Face Material	PBT
Tightening Torque	-