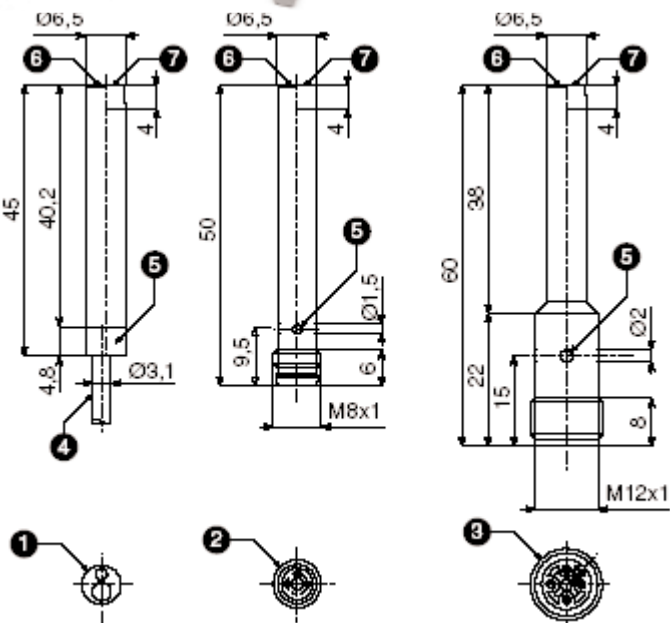


M65 6.5mm Miniature Inductive 1.5mm/2.5mm ranges



Parts Matrix

inductive sensor series	X	X
M65 6.5mm diameter body	65	65
standard diameter-standard ranges	D	D
stainless steel	S	S
3 wire device	3	3
PNP output	P	P
NPN output	N	N
NO normally open	1	1
NC normally closed	2	2
shielded	S	
unshielded		U
2m standard integrated cable	M1	M1
M8 3 Pin 8mm connector	E1	E1
M12 4 Pin 12mm connector	K1	K1
range (mm)	1.5mm	2.5mm
load current	200mA	200mA

M65 6.5mm
Miniature Inductive Proximity Sensor

1.5 mm shielded range

2.5 mm unshielded range

3 wire 10-30VDC

miniaturized body design

2 meter standard integrated cable

IP67 protection degree

protection from electrical damages

stainless steel housing

- 1
- 2
- 3
- 4
- 5
- 6
- 7

M1 axial cable

E1 M8 3 pin 8mm

K1 M12 4 pin 12mm

M1 cable 3x0.055mm, 3.1mm diameter, PUR, 2m

LED status indicator (NO output energized)

Shielded version

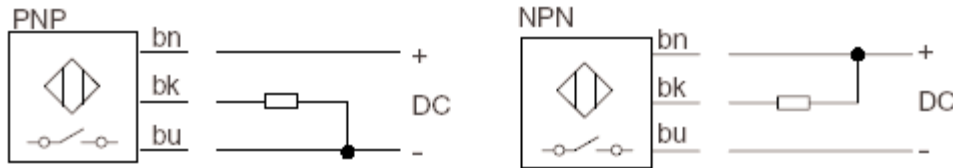
Unshielded version

PARTS INDEX

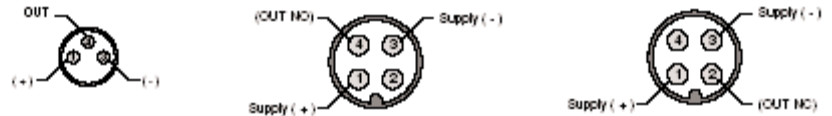
SPECIFICATIONS

X65DS3P1SM1	PNP NO SHIELDED M1
X65DS3P2SM1	PNP NC SHIELDED M1
X65DS3N1SM1	NPN NO SHIELDED M1
X65DS3N2SM1	NPN NC SHIELDED M1
X65DS3P1UM1	PNP NO UNSHIELDED M1
X65DS3P2UM1	PNP NC UNSHIELDED M1
X65DS3N1UM1	NPN NO UNSHIELDED M1
X65DS3N2UM1	NPN NC UNSHIELDED M1
X65DS3P1SE1	PNP NO SHIELDED E1
X65DS3P2SE1	PNP NC SHIELDED E1
X65DS3N1SE1	NPN NO SHIELDED E1
X65DS3N2SE1	NPN NC SHIELDED E1
X65DS3P1UE1	PNP NO UNSHIELDED E1
X65DS3P2UE1	PNP NC UNSHIELDED E1
X65DS3N1UE1	NPN NO UNSHIELDED E1
X65DS3N2UE1	NPN NC UNSHIELDED E1
X65DS3P1SK1	PNP NO SHIELDED K1
X65DS3P2SK1	PNP NC SHIELDED K1
X65DS3N1SK1	NPN NO SHIELDED K1
X65DS3N2SK1	NPN NC SHIELDED K1
X65DS3P1UK1	PNP NO UNSHIELDED K1
X65DS3P2UK1	PNP NC UNSHIELDED K1
X65DS3N1UK1	NPN NO UNSHIELDED K1
X65DS3N2UK1	NPN NC UNSHIELDED K1

Wiring Diagram



E1/K1 Connection Diagram



TECHNICAL SPECIFICATIONS

Nominal Sensing Distance S_n	1.5 mm	2.5 mm
Operating Distance	-	-
Differential Travel	10% Typ	10% Typ
Repeat Accuracy R	2%	2%
Operating Voltage U_b	10-30VDC	10-30VDC
Ripple U_{pp}	<20% U_b	<20% U_b
No-load Supply	20mA	20mA
Load Current I_a	<200mA	<200mA
Leakage Current	<10uA	<10uA
Voltage Drop U_d	1.2V max.	1.2V max.
Output Type	PNP or NPN NO or NC	PNP or NPN NO or NC
Switching Frequency	3KHz	5KHz
Time Delay Before Availability t_v	100ms	100ms
Supply Electrical Protections	polarity reversal, transient	polarity reversal, transient
Output Electrical Protections	short circuit protection (autore-	short circuit protection (autore-
Ambient Temperature T_a	-25--+70C	-25--+75C
Temperature Drift	+/- 10% SR	+/- 10% SR
Protection Degree (DIN 40 050)	IEC IP67	IEC IP67
LED Indicators	Yellow (NO output energized)	Yellow (NO output energized)
Housing Material	stainless steel	stainless steel
Sensing Face Material	PBT	PBT
Tightening Torque	-	-
Weight (approximate)	35g (M1) 7g (E1) 10g (K1)	35g (M1) 7g (E1) 10g (K1)