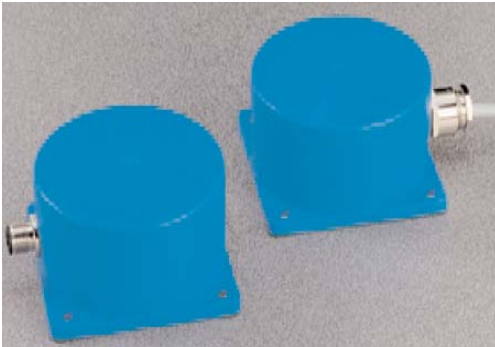


M80 80mm Inductive DC ShortPuck- Long Range 40mm range Programmable



M80 80mm DC ShortPuck
Inductive Proximity Sensor

40 mm unshielded range

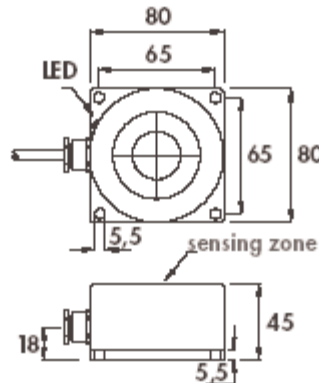
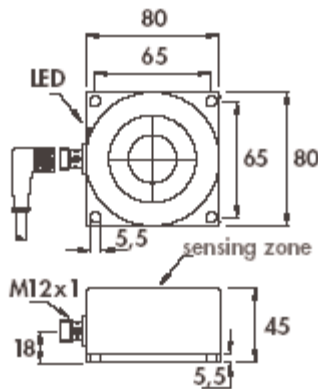
4 wire 10-30VDC
Programmable

Progressive Body Style

2 meter standard integrated cable

IP67 protection degree

protection from electrical damages



PARTS INDEX SPECIFICATIONS

X80OP4P3UM1
X80OP4N3UM1

PNP NO/NC UNSHIELDED M1
NPN NO/NC UNSHIEDLED M1

X80OP4P3UK1
X80OP4N3UK1

PNP NO/NC UNSHIELDED K1
NPN NO/NC UNSHIEDLED K1

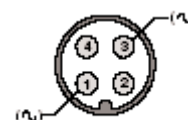
Parts Matrix

inductive sensor series	X
M80 80mm diameter body	80
shortpuck diameter-extended ranges	O
plastic housing	P
4 wire device	3
PNP output	P
NPN output	N
NO+NC normally open/normally closed	3
unshielded	U
2m standard integrated cable	M1
M12 4 Pin 12mm connector	K1
range (mm)	40mm

Wiring Diagram



K1 Connection Diagram



TECHNICAL SPECIFICATIONS

Nominal Sensing Distance S_n	40 mm
Operating Distance	-
Differential Travel	10% Typ
Repeat Accuracy R	2%
Operating Voltage U_b	10-60VDC
Ripple U_{pp}	<20% U_b
No-load Supply	20mA
Load Current I_a	<400mA
Leakage Current	<10uA
Voltage Drop U_d	2.2V max.
Output Type	PNP or NPN NO & NC
Switching Frequency	500Hz
Time Delay Before Availability t_v	100ms
Supply Electrical Protections	polarity reversal, transient
Output Electrical Protections	short circuit protection (autoreset)
Ambient Temperature T_a	-20--+70C
Temperature Drift	+/- 10% SR
Protection Degree (DIN 40 050)	IEC IP67
Housing Material	plastic
Sensing Face Material	plastic
Tightening Torque	30Nm