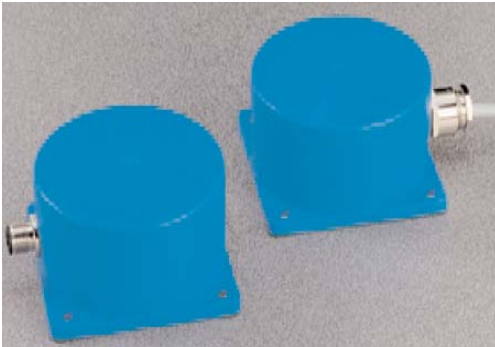
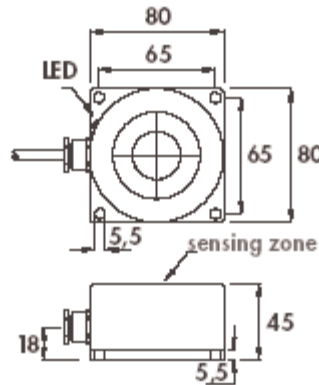
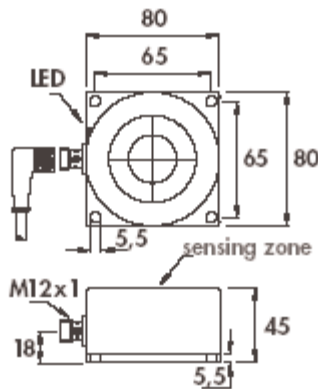


# M80 80mm Inductive DC ShortPuck- Long Range 40mm range NAMUR



<b>M80 80mm ShortPuck Inductive Proximity Sensor</b>
40 mm unshielded range
<b>NAMUR</b>
2 wire 5-30VDC
<b>Progressive Body Style</b>
2 meter standard integrated cable
<b>IP67 protection degree</b>
<b>protection from electrical damages</b>



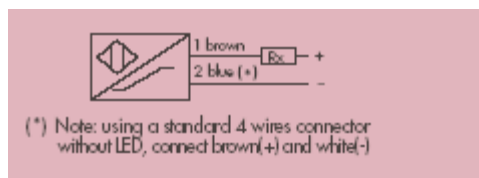
### PARTS INDEX SPECIFICATIONS

X80OPN22UM1	NC UNSHIELDED M1
X80OPN22UK1	NC UNSHIEDLED K1

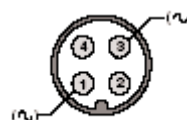
### Parts Matrix

inductive sensor series	X
M80 80mm diameter body	80
shortpuck diameter-extended ranges	O
plastic housing	P
NAMUR	N
2 wire device	2
NC normally closed	2
unshielded	U
2m standard integrated cable	M1
M12 4 Pin 12mm connector	K1
range (mm)	40mm

**Wiring Diagram**



**K1 Connection Diagram**



**TECHNICAL SPECIFICATIONS**

<b>Nominal Sensing Distance Sn</b>	<b>40mm</b>
<b>Supply Voltage NAMUR</b>	<b>7.7-9VDC</b>
<b>Operating Voltage U<sub>b</sub></b>	<b>5-30VDC</b>
<b>Ripple U<sub>pp</sub></b>	<b>&lt;10% U<sub>b</sub></b>
<b>Internal Capacitance</b>	<b>&lt;180nF</b>
<b>Internal Inductance</b>	<b>&lt;100uH</b>
<b>Output Type</b>	<b>NAMUR NPN NC</b>
<b>Switching Frequency</b>	<b>500Hz</b>
<b>Time Delay Before Availability t<sub>v</sub></b>	<b>10ms</b>
<b>Power Consumption attenuated</b>	<b>&lt;1.0mA</b>
<b>Power Consumption unattenuated</b>	<b>&lt;2.2mA</b>
<b>Ambient Temperature T<sub>a</sub></b>	<b>-25---+70C</b>
<b>Temperature Drift</b>	<b>+/- 10% SR</b>
<b>Protection Degree (DIN 40 050)</b>	<b>IEC IP67</b>
<b>LED Indicators</b>	<b>Yellow (NO output energized)</b>
<b>Housing Material</b>	<b>plastic</b>
<b>Sensing Face Material</b>	<b>plastic</b>